

3D設計

with Autodesk Fusion 360

林祥麟 Daniel

碁峯資訊 Autodesk行銷部



GOTOP INFORMATION INC.



AUTODESK[®] FUSION 360[™]



Books

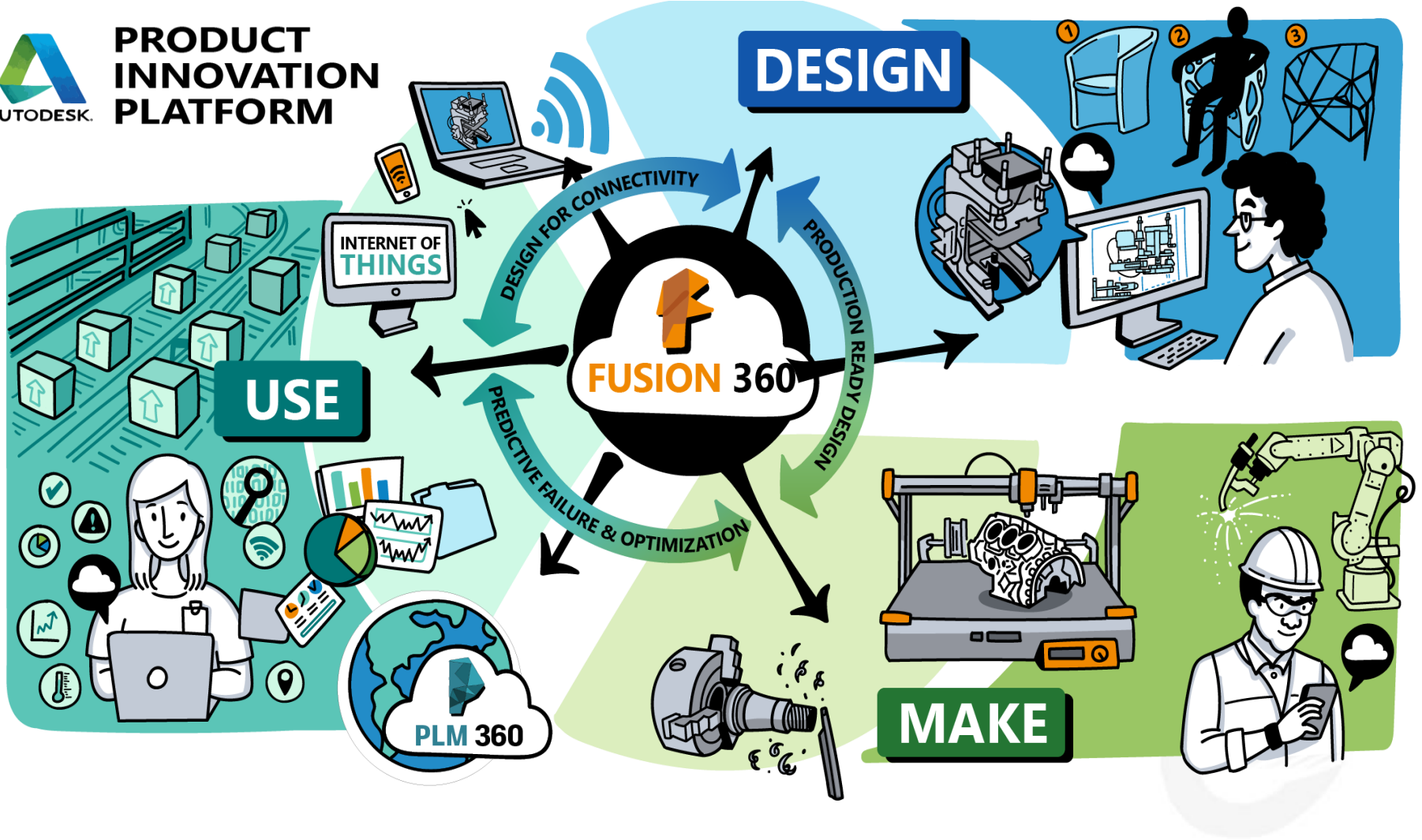
Software

Certification

Device



PRODUCT INNOVATION PLATFORM



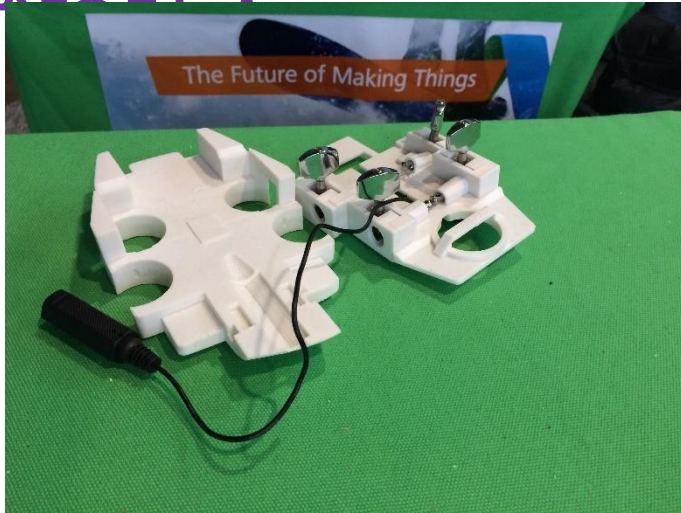
Books

Software

Certification

Device

創意設計！



Books

Software

Certification

Device

創意設計！



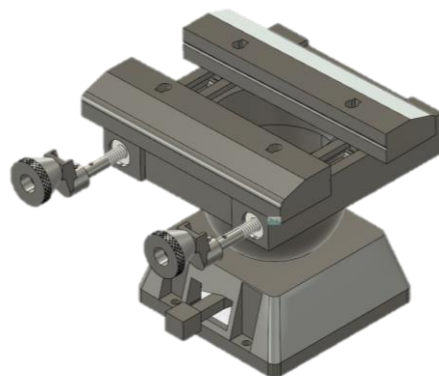
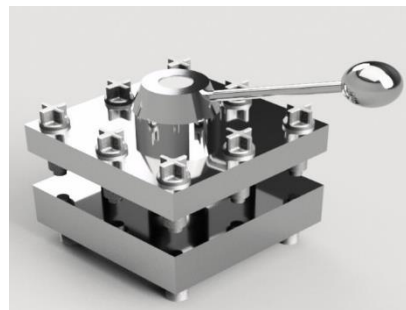
Books

Software

Certification

Device

工具



Books

Software

Certification

Device

家具設備



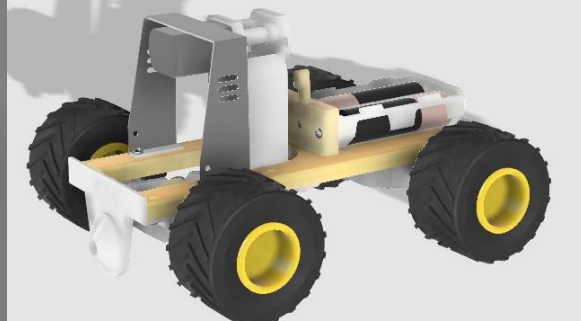
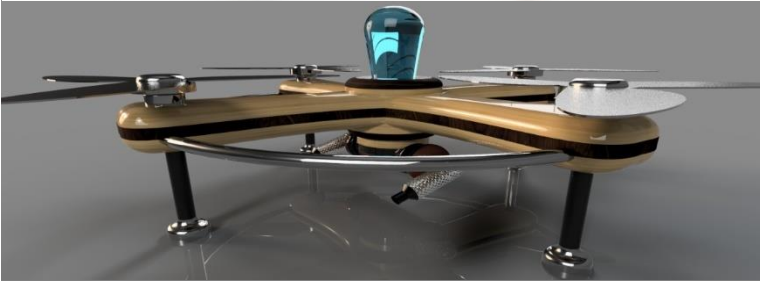
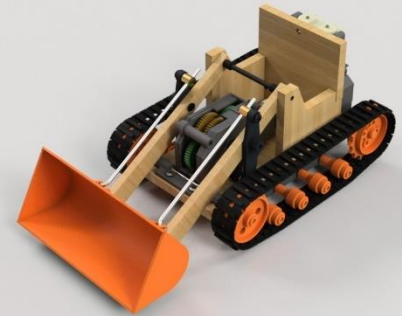
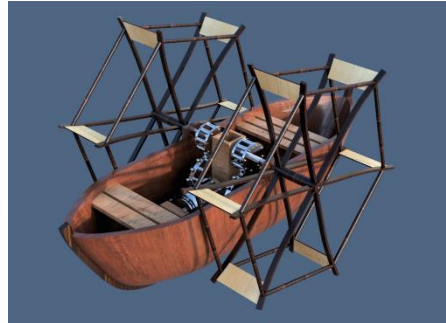
Books

Software

Certification

Device

交通工具



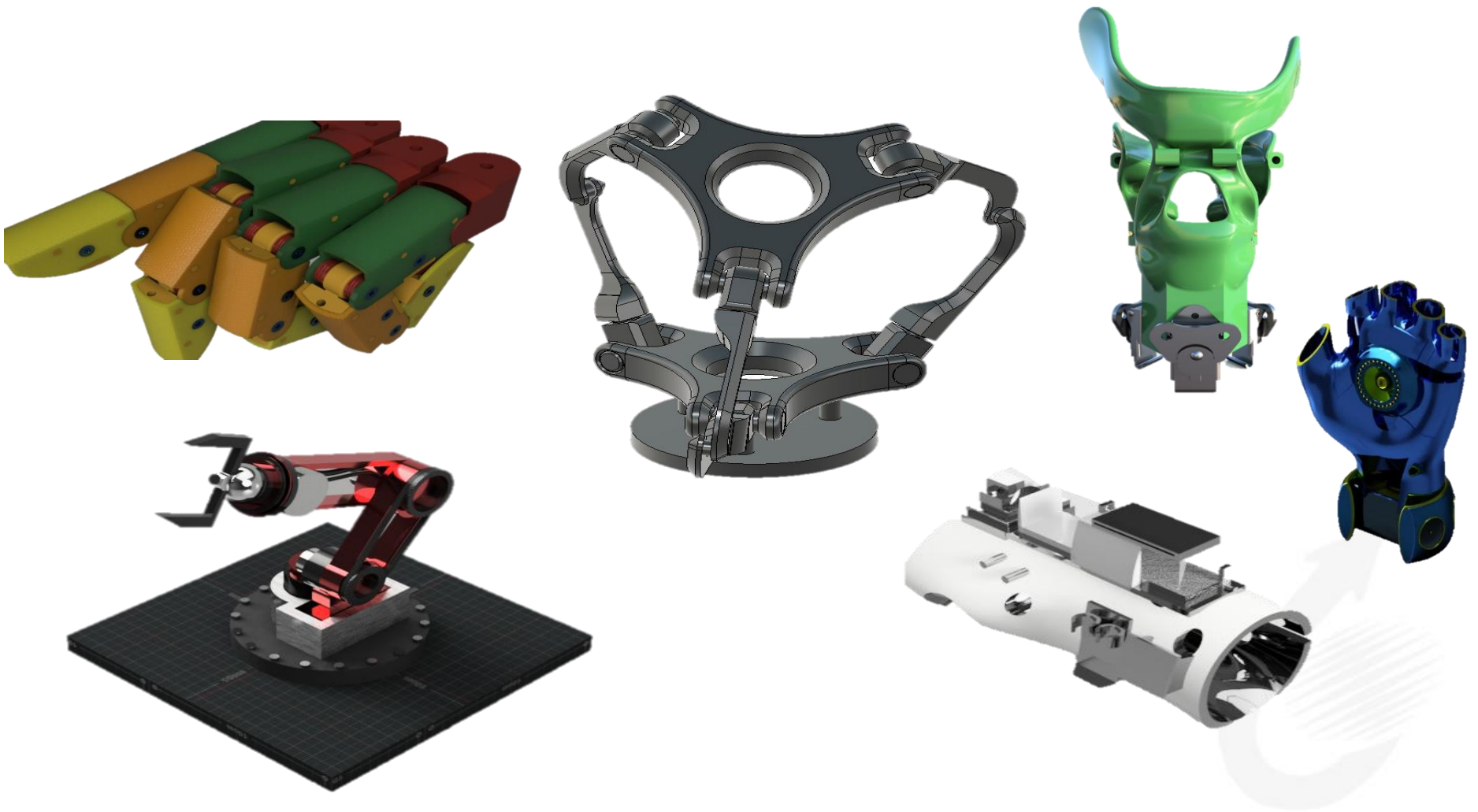
Books

Software

Certification

Device

機械結構



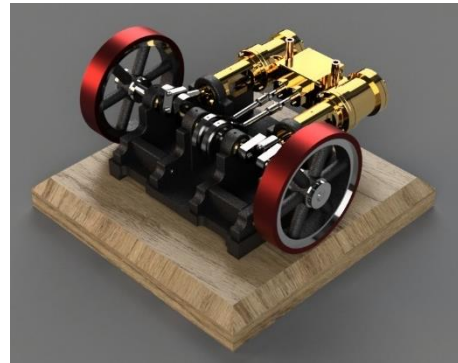
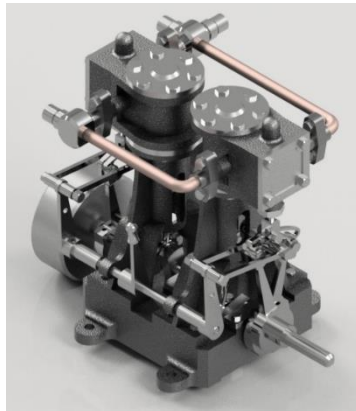
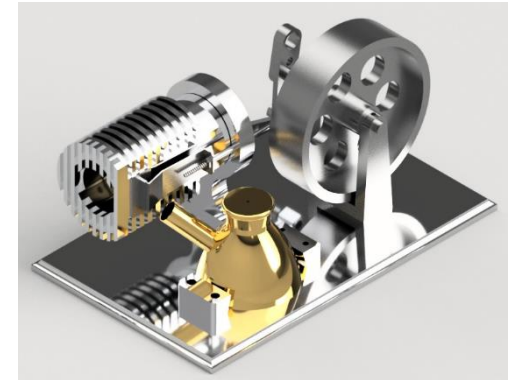
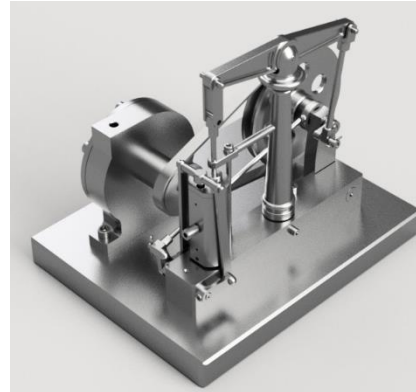
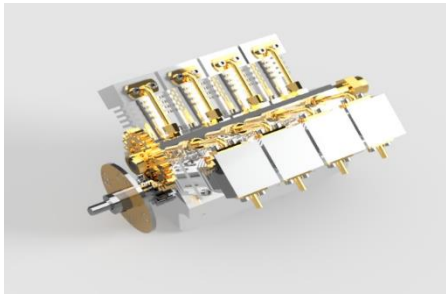
Books

Software

Certification

Device

動力引擎設備



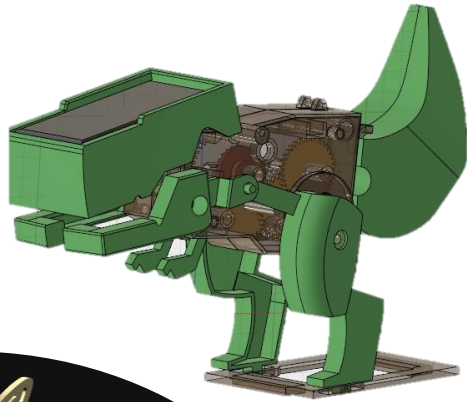
Books

Software

Certification

Device

仿生動物



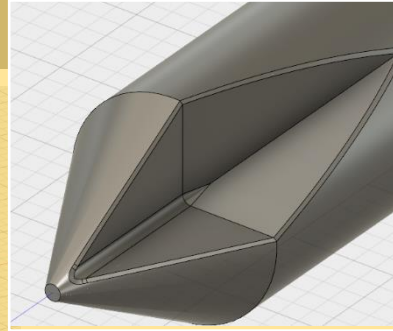
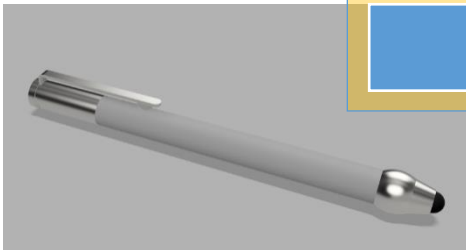
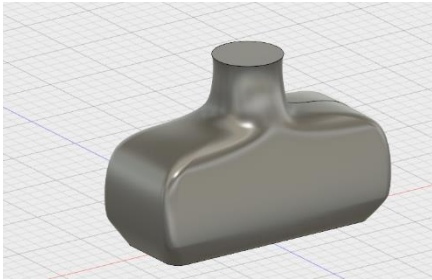
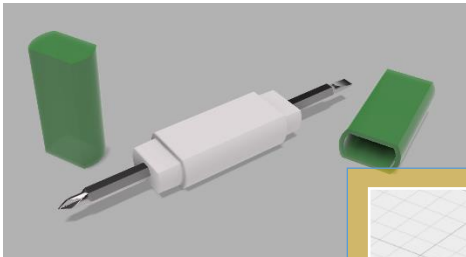
Books

Software

Certification

Device

Fusion 360 建模類別



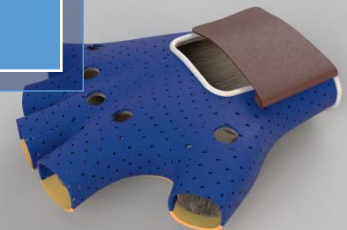
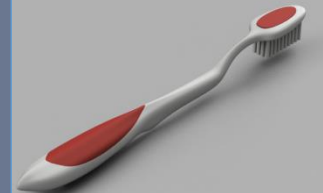
Sketch

傳統建模



T-Splines

自由造型



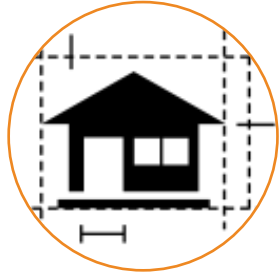
Books

Software

Certification

Device

Fusion 360 傳統建模流程



建構平面



繪製草圖



給予特徵



修飾外型

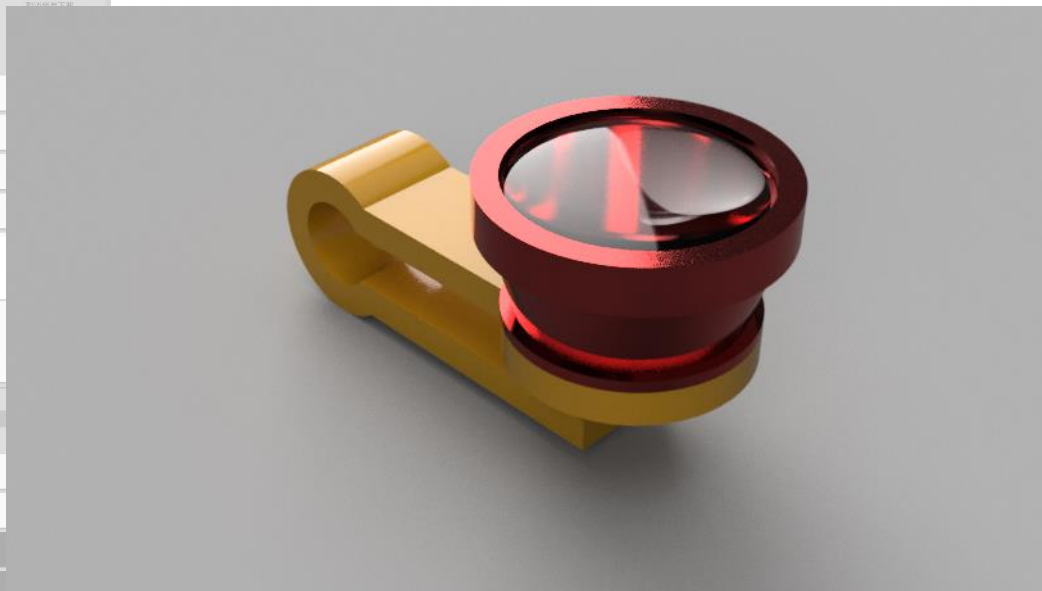
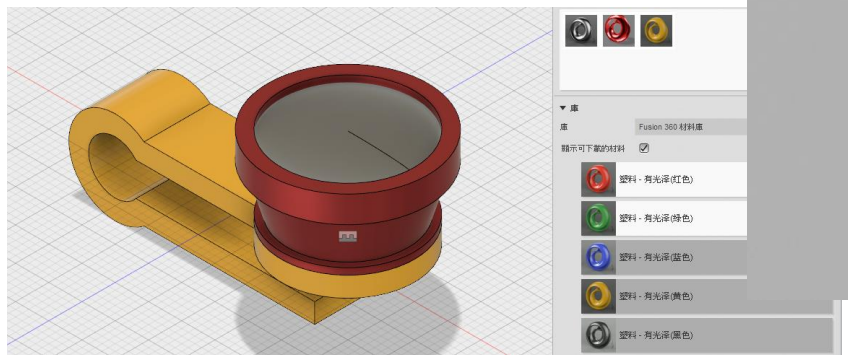
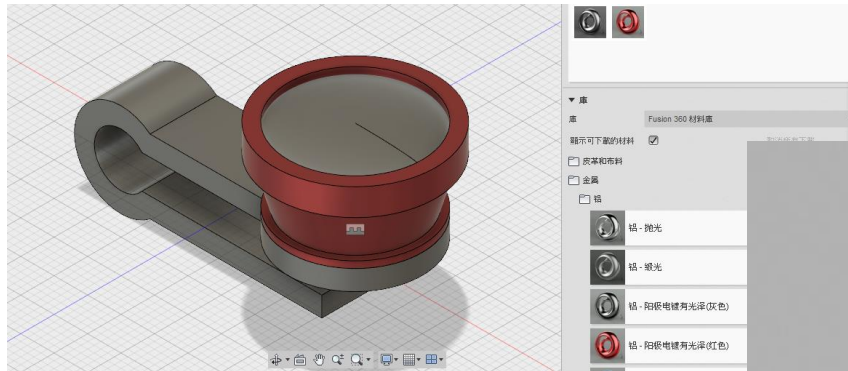


Books

Software

Certification

Device



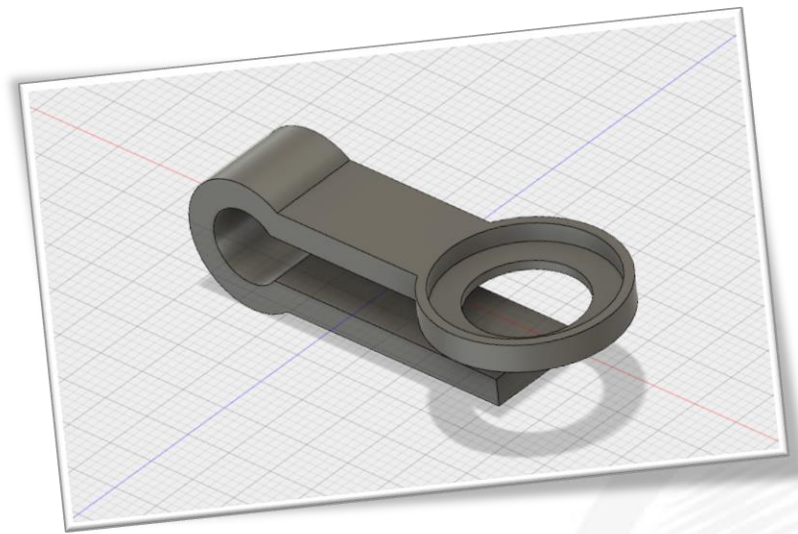
Books

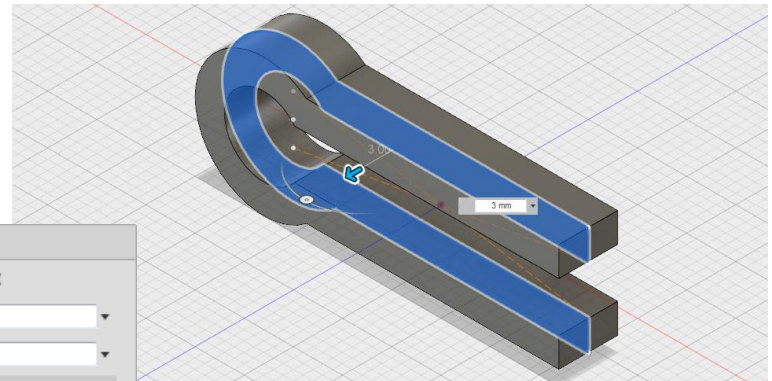
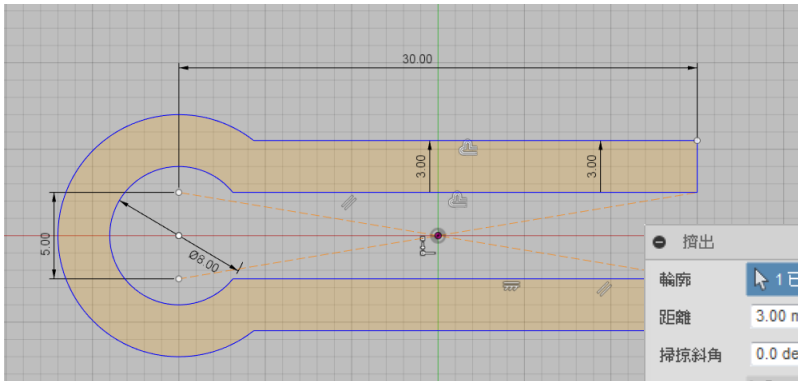
Software

Certification

Device

Section 1 : 固定夾製作





擠出

輪廓 1 已選定

距離 3.00 mm

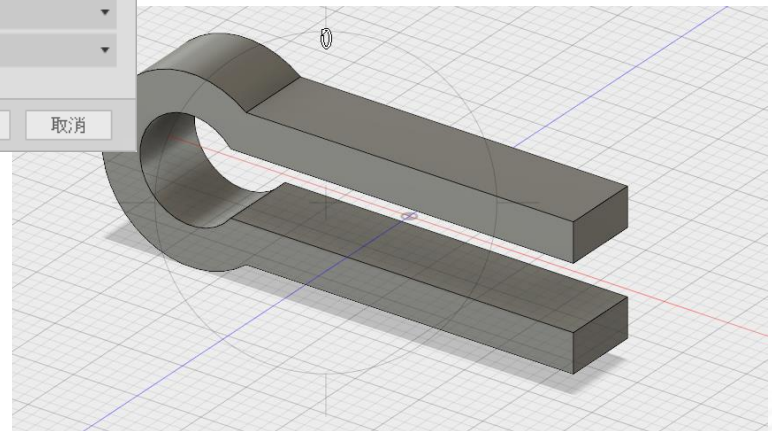
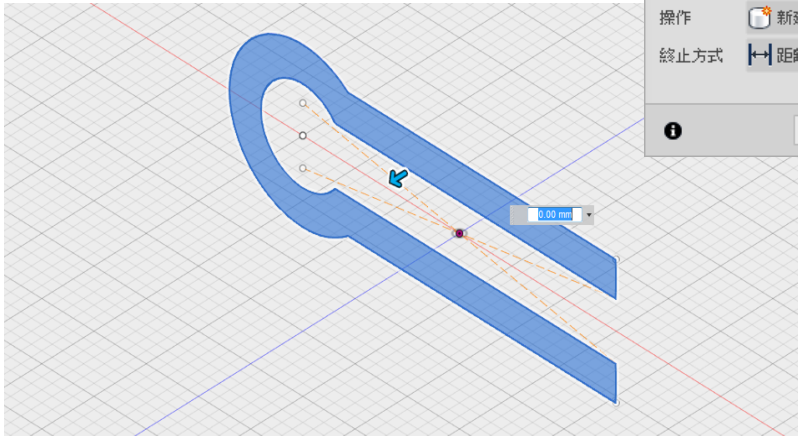
掃掠斜角 0.0 deg

方向 對稱

操作 新建實體

終止方式 距離

確定 取消

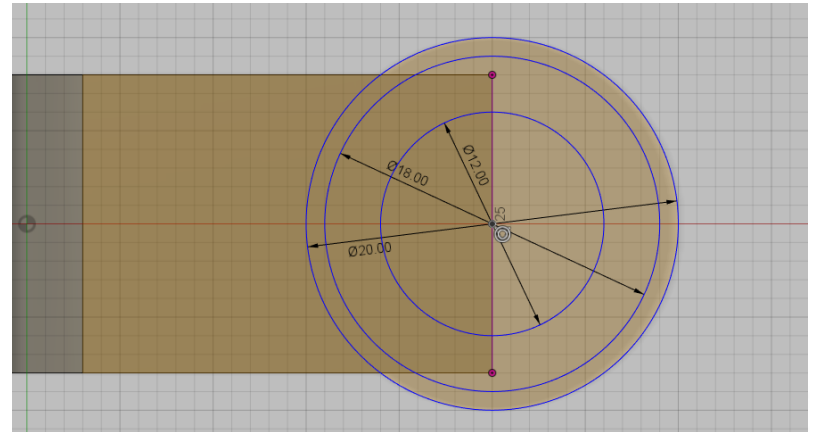
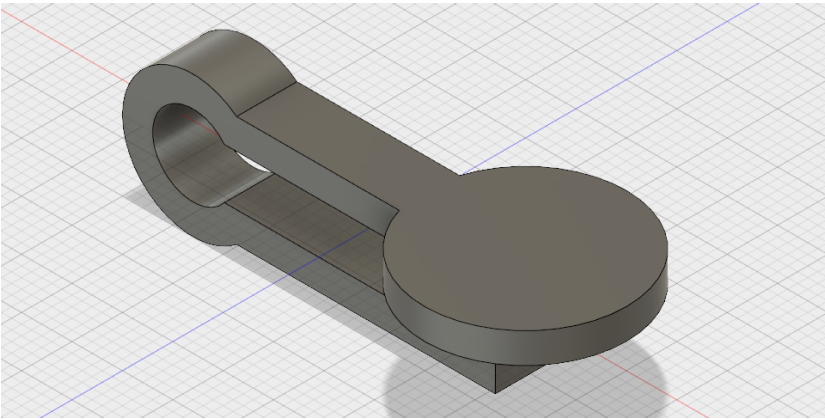
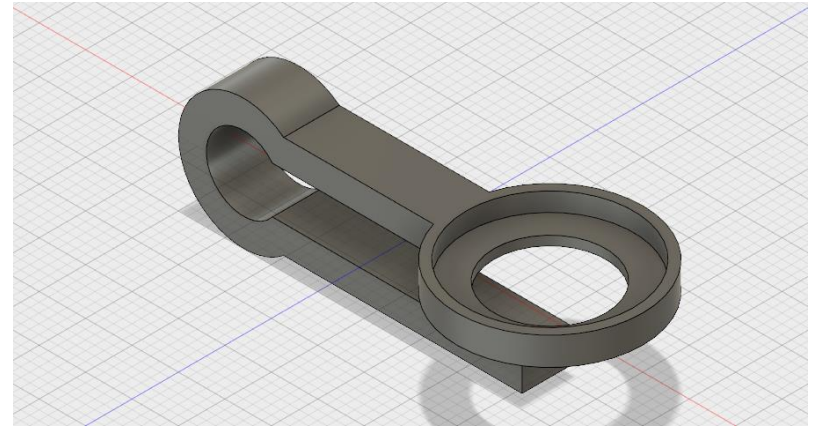
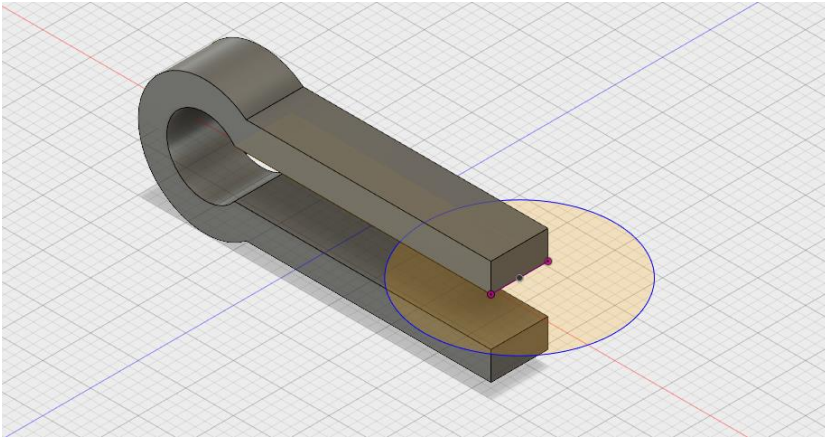


Books

Software

Certification

Device



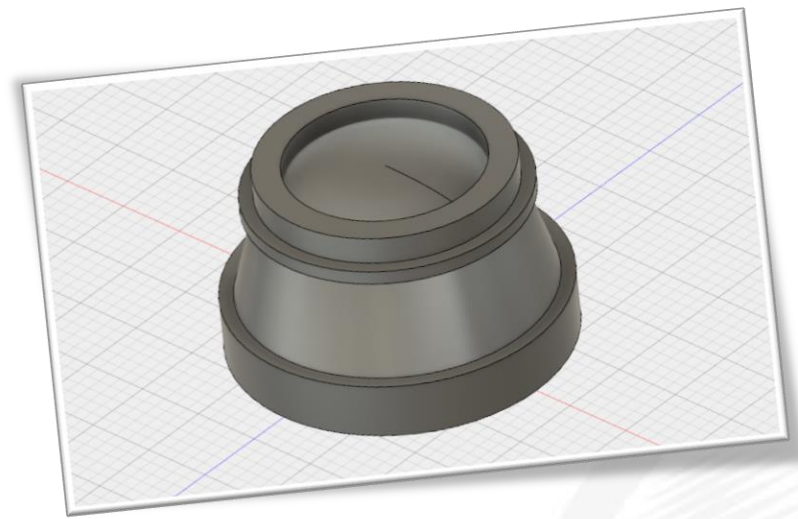
Books

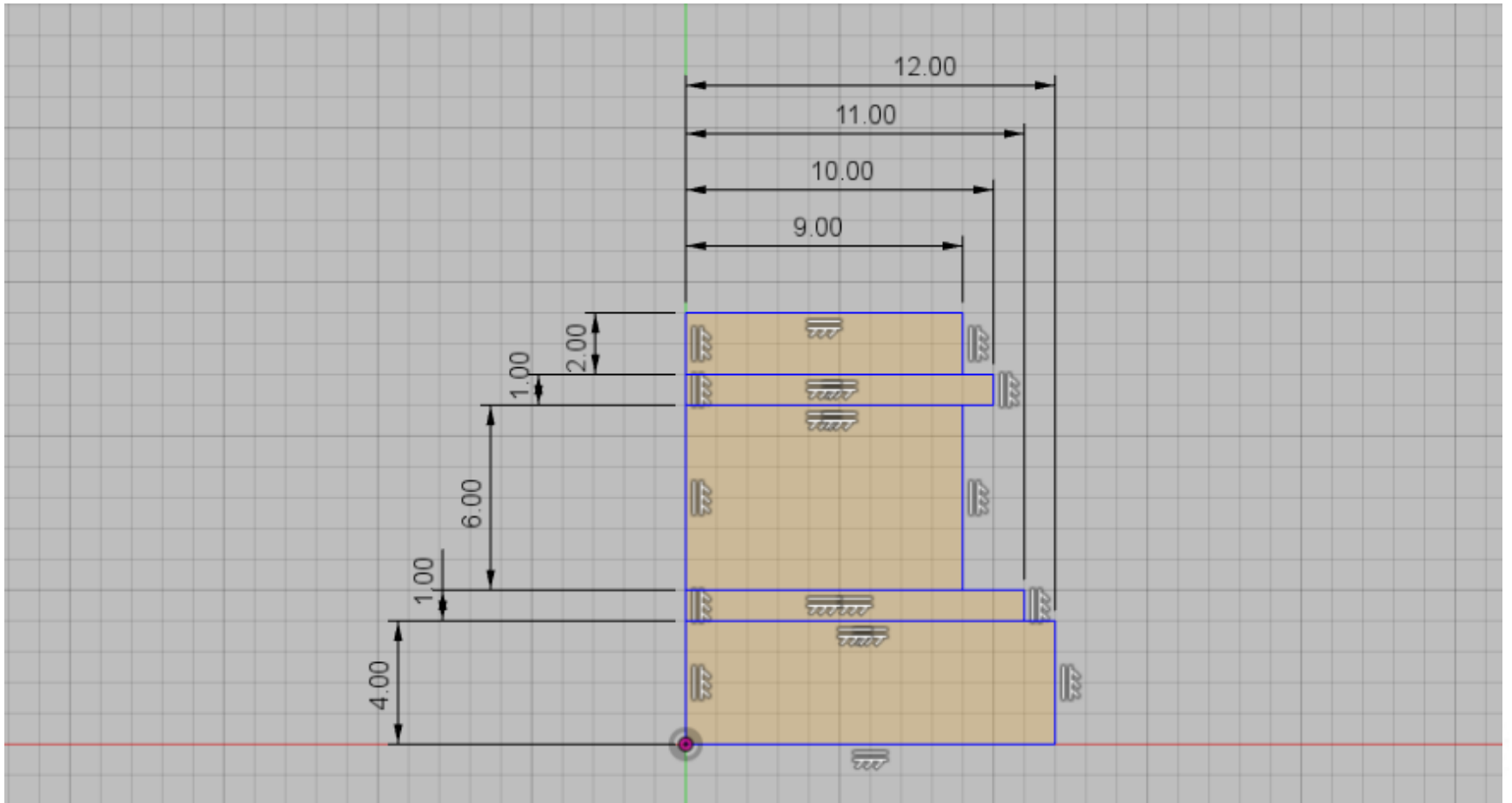
Software

Certification

Device

Section 2 : 鏡頭製作與組裝



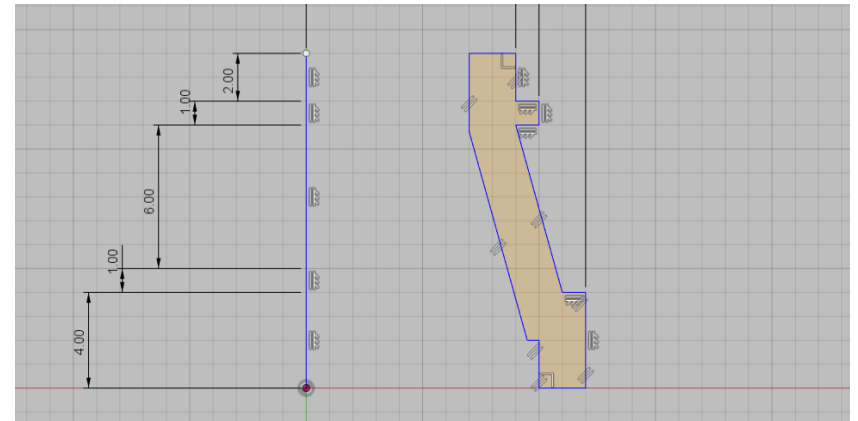
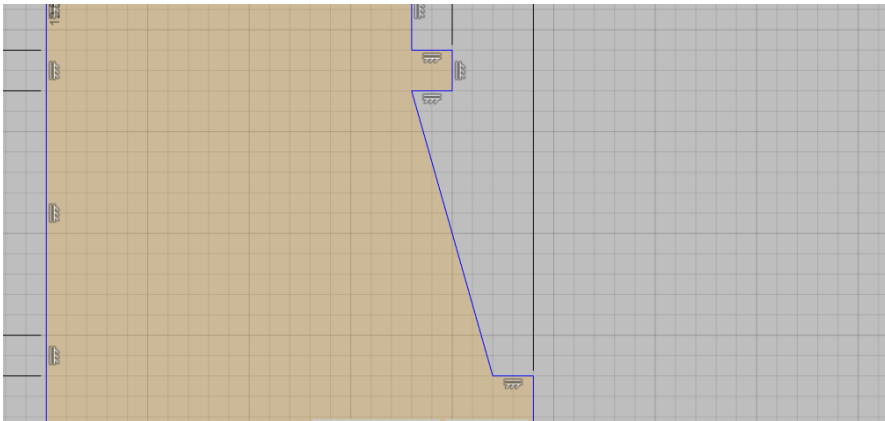
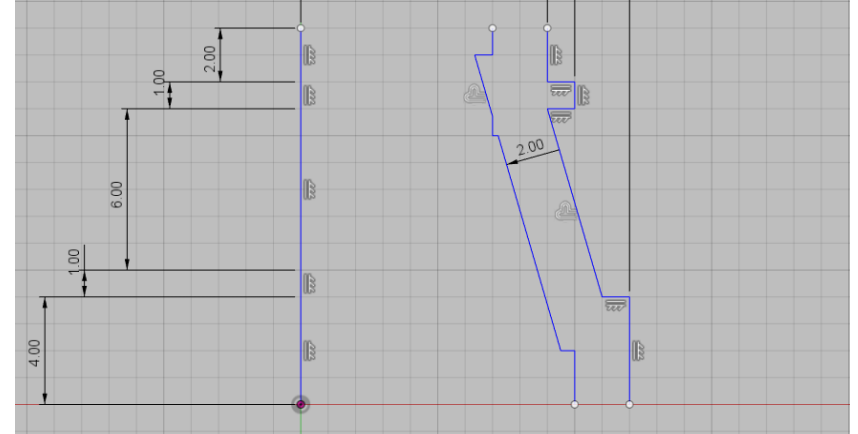
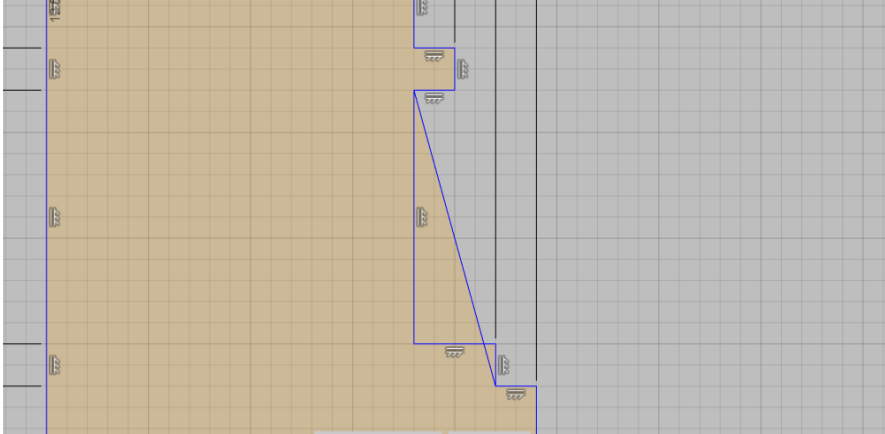


Books

Software

Certification

Device

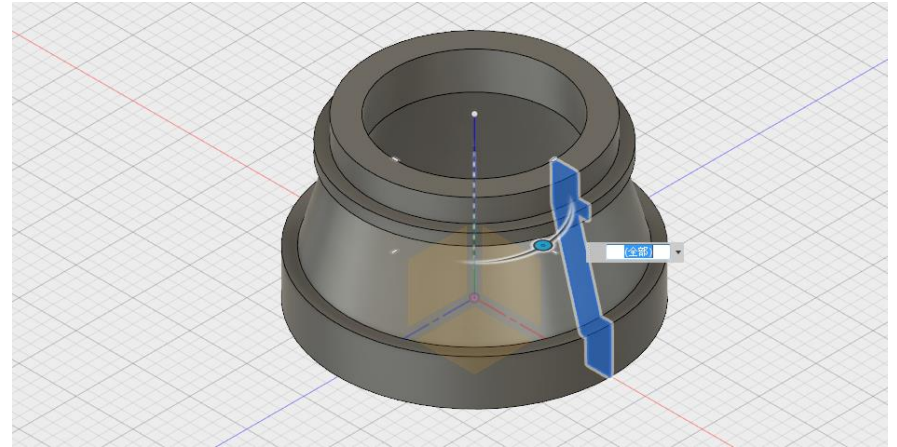
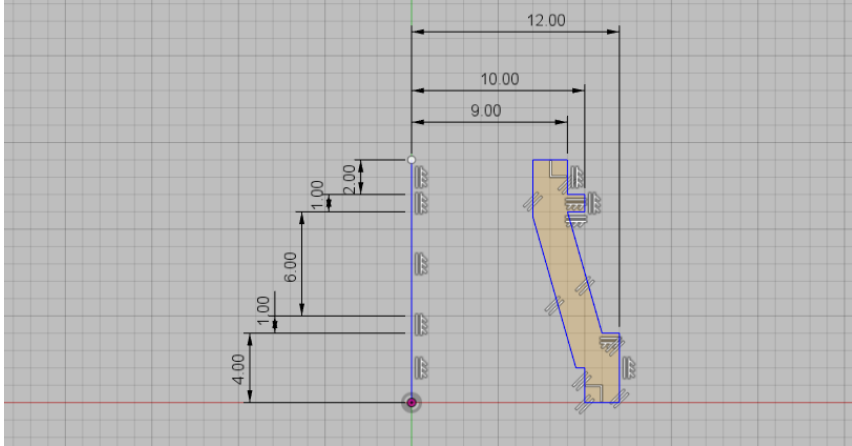


Books

Software

Certification

Device

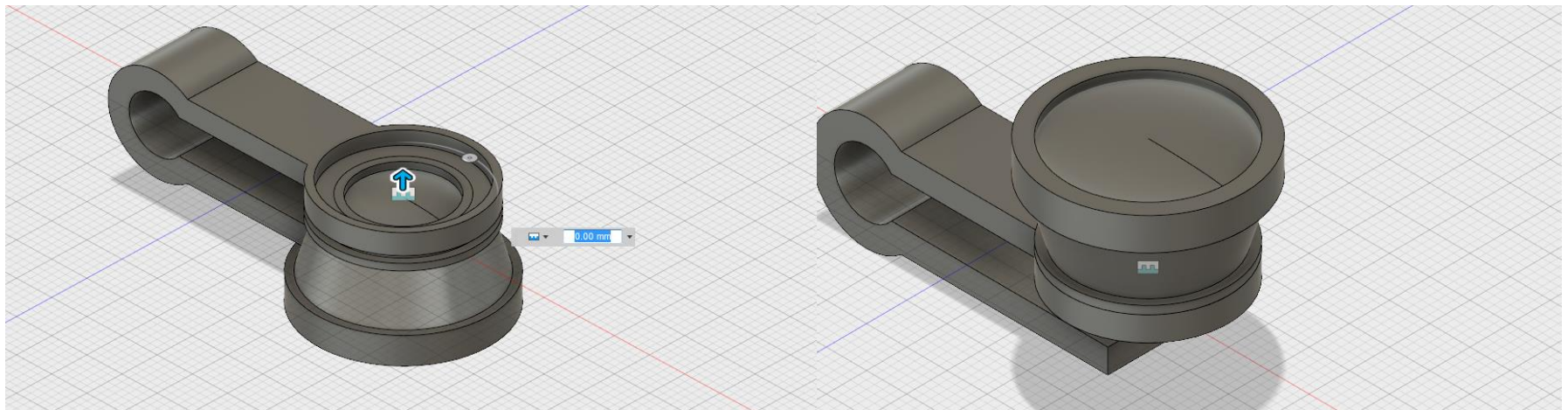
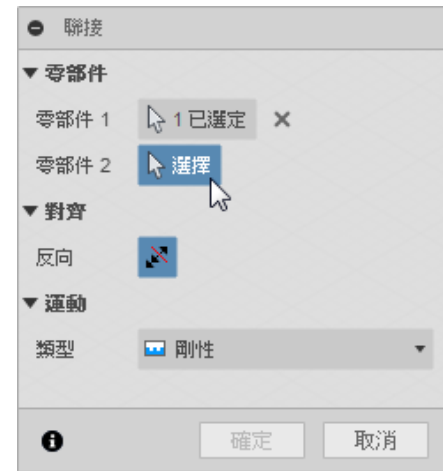
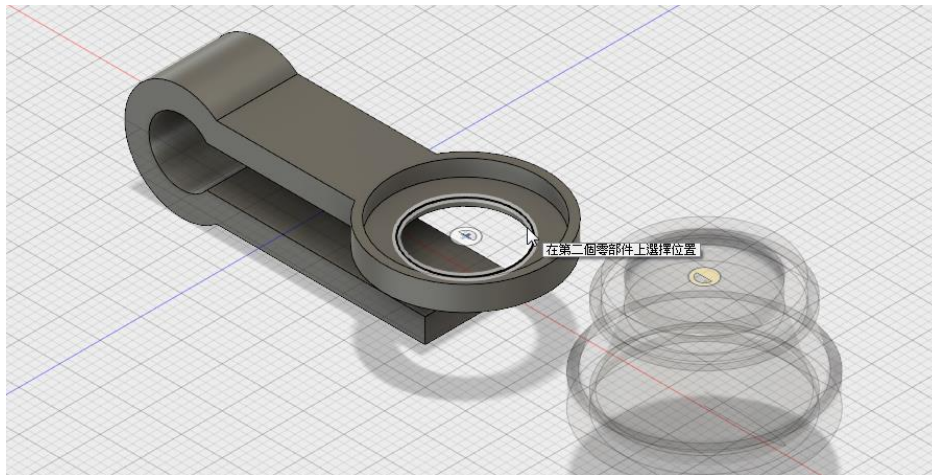


Books

Software

Certification

Device





AUTODESK®

Make anything.



Books

Software

Certification

Device